

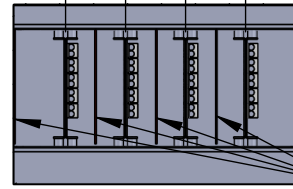
2

1

NOTES:

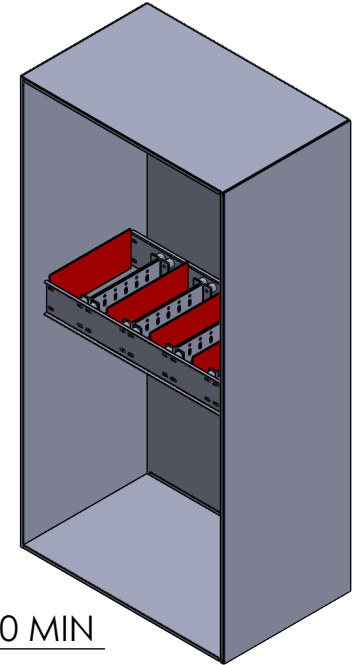
- 1. BOX AND COVER CONSTRUCTION- GALV STEEL(12GA)  
FINISH: POWDER COAT GRAY ENAMEL
- 2. BUSBARS- COPPER 98% CONDUCTIVITY
- 3. BOX SHALL HAVE NAME PLATE WITH MANUFACTURER'S NAME
- 4. FRONT COVERS SHALL BE SEALABLE WITH (2) HANDLES
- 5. LINE SIDE: PROVISION FOR (10) 600 MCM STANDARD - MORE SETS BY REQUEST  
- LUGS NOT INCLUDED
- 6. LOAD SIDE: STANDARD - MOUNT (16) 600 MCM - MORE SETS BY REQUEST  
- MECHANICAL LUGS INCLUDED
- 7. NEMA 3R CONSTRUCTION INCLUDES SEAM WELDED BODY, OUTSIDE MOUNTING TABS ON ALL FOUR CORNERS, GASKETED COVERS
- 8. SHORT CIRCUIT CURRENT RATING 100,000 SYM RMS AMPS
- 9. MUST BE MARKED: "DANGER 277/480 VOLTS" & "CAUTION 277/480 VOLTS"
- 10. FOR 277/480V SERVICE ONLY

10.00 MIN BETWEEN PHASES  
9.00 MIN 9.00 MIN



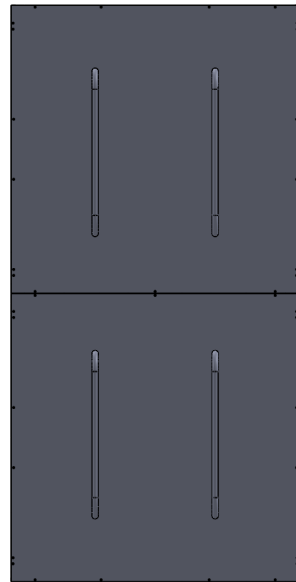
1/4" X 18" X 12" GP03 INSULATING BARRIERS

TOP SECTIONED

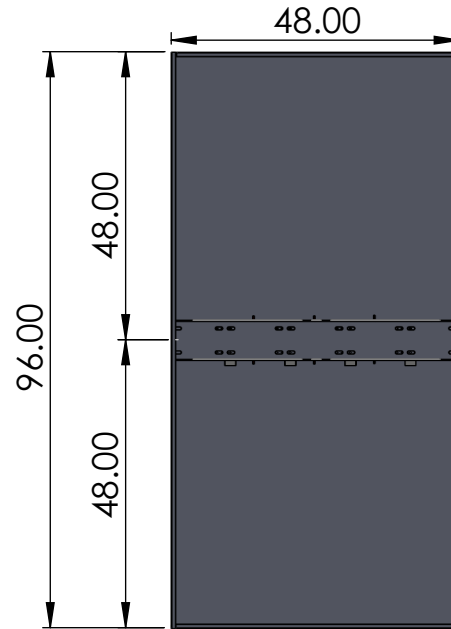


B

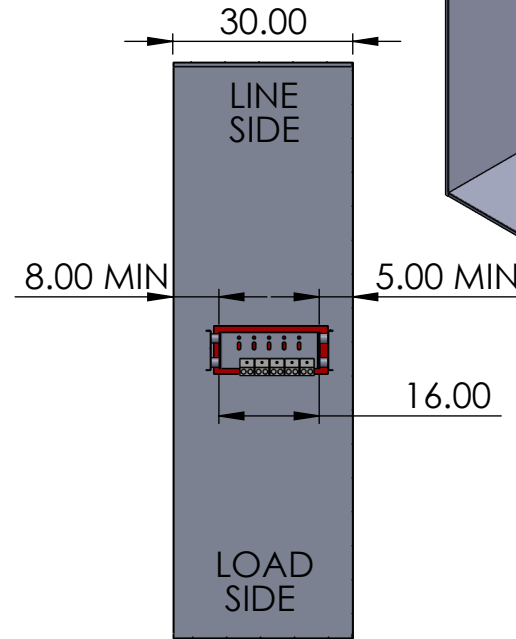
B



COVERED FRONT



OPEN FRONT



SIDE SECTIONED

A

A

	NAME	DATE
DRAWN BY	N.BOSETTI	12/30/2025
APPROVED BY		

**PROPRIETARY AND CONFIDENTIAL**  
THE INFORMATION CONTAINED IN THIS DRAWING IS THE SOLE PROPERTY OF NAV-TECH INC. ANY REPRODUCTION IN PART OR AS A WHOLE WITHOUT THE WRITTEN PERMISSION OF NAV-TECH INC. IS PROHIBITED.



155 MARCUS BLVD  
HAUPPAUGE, NEW YORK 11788  
PH: (718) 257-2111 FAX: (718) 257-2626

MAT'L: GALVANNEALED STEEL  
FINISH: POWDER COATED  
WEIGHT: N/A

DRAWING TITLE: 348211-96-N3R CUT SHEET

PART #: 348211-96-N3R

DESCRIPTION:  
NEMA 3R SERVICE ENTRANCE BOX  
277/480V SERVICE UP TO 10 SETS LINE SIDE  
SPECIFIED TO CON ED DWG. NO 348211

<b>DO NOT SCALE DRAWING</b>	SCALE 1:35	SIZE A	SHEET 1 OF 1	REV. 9
-----------------------------	------------	--------	--------------	--------

2

1